

S5484

High resolution color graphics workstation

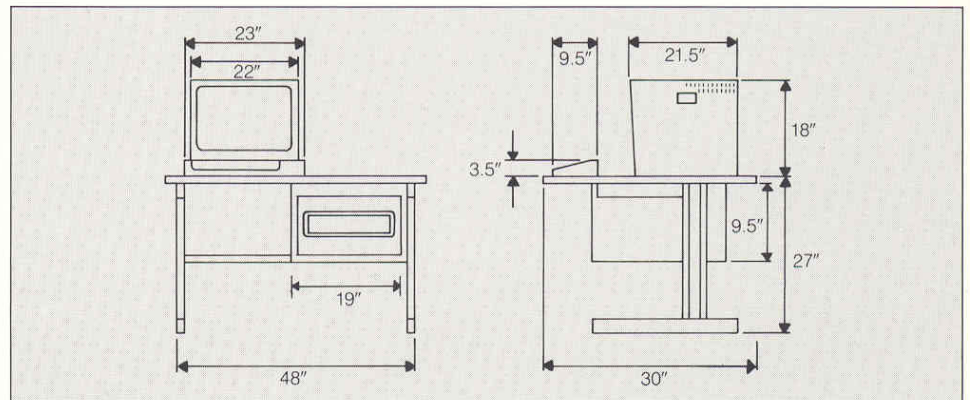


Lundy's new S5484 is the highest resolution color graphics workstation in the industry. It increases productivity by allowing you to design quickly, accurately, and economically. Suitable for use in virtually any design application, the S5484 combines a high quality 19-inch diagonal color monitor, detachable keyboard with optional integrated joystick, and a graphics generator into an attractive desk-type workstation engineered for maximum user convenience.

Standard-Setting Features For Productive, Cost-Effective Design

Design productivity is increased because the S5484 employs the latest advances in graphics technology. The result: a workstation with many time-saving features at an economical price. Features such as a pixel display of 1536×1024 (addressable and viewable), virtually instant polygon fill, and a local high speed graphics generator are standard.

The high resolution pixel display ensures that your designs are crisp, clean and precise. Instant polygon fill means designs can be colored extremely fast, minimizing design time. And, the local high speed



graphics generator relieves your host computer from many burdensome tasks, which lowers costs even further. A color enhanced Tektronix® 4014 emulation feature permits color display building on existing Tektronix software.

Supported by Powerful Range of Software Packages

All Lundy graphics products are supported by the UltraGraphics™ II universal graphics design subroutine package, and by many major third-party engineering and general

business software packages to handle practically every graphics requirement.

Service Tailored to Your Needs

All Lundy products are backed by the Company's extensive service/support network organization that provides four types of service plans to meet your exact needs.



LUNDY

S5484

High resolution color graphics workstation

Specifications

Display subsystem

Monitor	19-inch diagonal high resolution color monitor with contrast enhancement filter.
Viewable area	16 inches × 9.5 inches.
Resolution	1536 × 1024, viewable and addressable.
Display type	Raster scan, fully interlaced 60Hz refresh rate, 50Hz optional.
Pixel planes	Up to 4 planes.
Color palette	4096 colors, 136 shades.
Vector drawing	Hardware generator, 0.75 μ s per point typical.
Vector modes	Absolute, relative and incremental.
Vector formats	Solid, dotted, dashed, software specified pattern.
Block formats	Full or dashed outline, solid or software specified hatch pattern.
Area fill	Hardware solid, hatch or pattern area fill to a closed boundary.
Conic generation	Firmware generation of circles, arcs and ellipses.
Graphic characters	Full 96-character ASCII set with optional control mnemonic display. Programmable screen format of up to 32 lines of 80 characters, or 40 double width characters per line. Full cursor addressing, with blink, inverse video and scrolling.

Control processor

Processor	Motorola M68B09.
Memory	64K bytes dynamic RAM, 16K bytes of EPROM.
Programmable store	40K bytes dynamic RAM for up to 64 locally executable subroutines.
Control program	Stored in EPROM, supports Lundy native mode and Tektronix 4014 mode.
Input/Output	Optional 8-bit parallel interface, or V11 (RS422) high speed serial interface.
Encoding formats	Binary, ASCII (hexadecimal and decimal). Pixel data can be transferred to run length encoded format.

Input/Output Devices

Impact graphics printer	Provides low cost screen hardcopy.
Color printer	Provides low cost screen hardcopy and transparencies.
Video	Options for single level and full grayscale.
Interfaces	Parallel interface and firmware to support a variety of grayscale and color hardcopy devices.
Keyboard	96-key full ASCII keyboard with 14 programmable function keys. Separate numeric keyboard with optional integrated joystick.
Data tablet	Optional input device with an 11-inch by 11-inch surface area with 200 points per inch resolution. Available with stylus or cursor.

Mechanical/Environmental

Power	100/130V or 200/250V, 47 to 63Hz single phase; 500 watts nominal.
Operating range	Temperature 41°F to 95°F (5°C to 35°C). Humidity 20 to 90% noncondensing.
Packaging	Integrated graphics workstation comprising ergonomic desk unit, graphics generator, color monitor and keyboard as illustrated.
Weight	Approximately 121 lb. (55kg).

Values given are typical and all specifications are subject to change without notice.
Tektronix is a trademark of Tektronix Inc.



LUNDY
ELECTRONICS & SYSTEMS, INC.

1 Robert Lane, Glen Head, New York, 11545 516-671-9000

PRINTED IN USA 319 (5/83)