

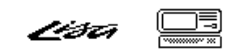
U5, PIN 1 (SHEET 2)  
 U2E, PIN 7 (SHEET 2)  
 W2 (SHEET 2)  
 C20 (SHEET 2)

R117 (SHEET 2)

R83 (SHEET 2)  
 U2E, PIN 5 (SHEET 2)  
 U2E, PIN 2 (SHEET 2)

R69 (SHEET 2)  
 R71 (SHEET 2)

U3C, PIN 14 (SHEET 2)

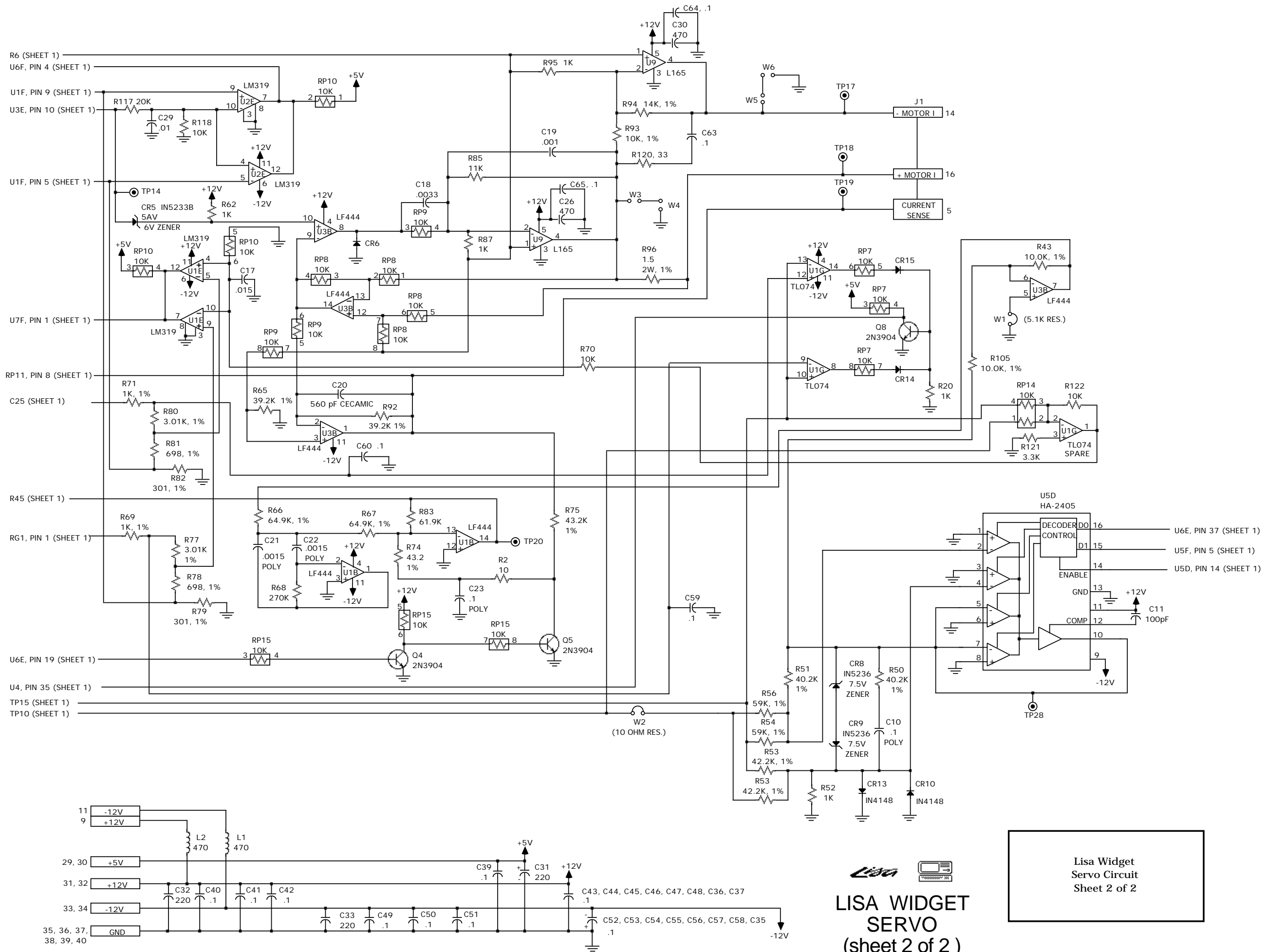


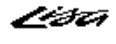

# LISA WIDGET SERVO

(sheet 1 of 2)

U1G, PIN 13 (SHEET 2)  
 RP15, PIN 3 (SHEET 2)  
 U3C, PIN 16 (SHEET 2)  
 O8 (SHEET 2)  
 U3C, PIN 15 (SHEET 2)  
 U1E, PIN 7 (SHEET 2)

Lisa Widget Servo Circuit  
 Sheet 1 of 2




  
**LISA WIDGET  
SERVO**  
 (sheet 2 of 2)

Lisa Widget  
 Servo Circuit  
 Sheet 2 of 2